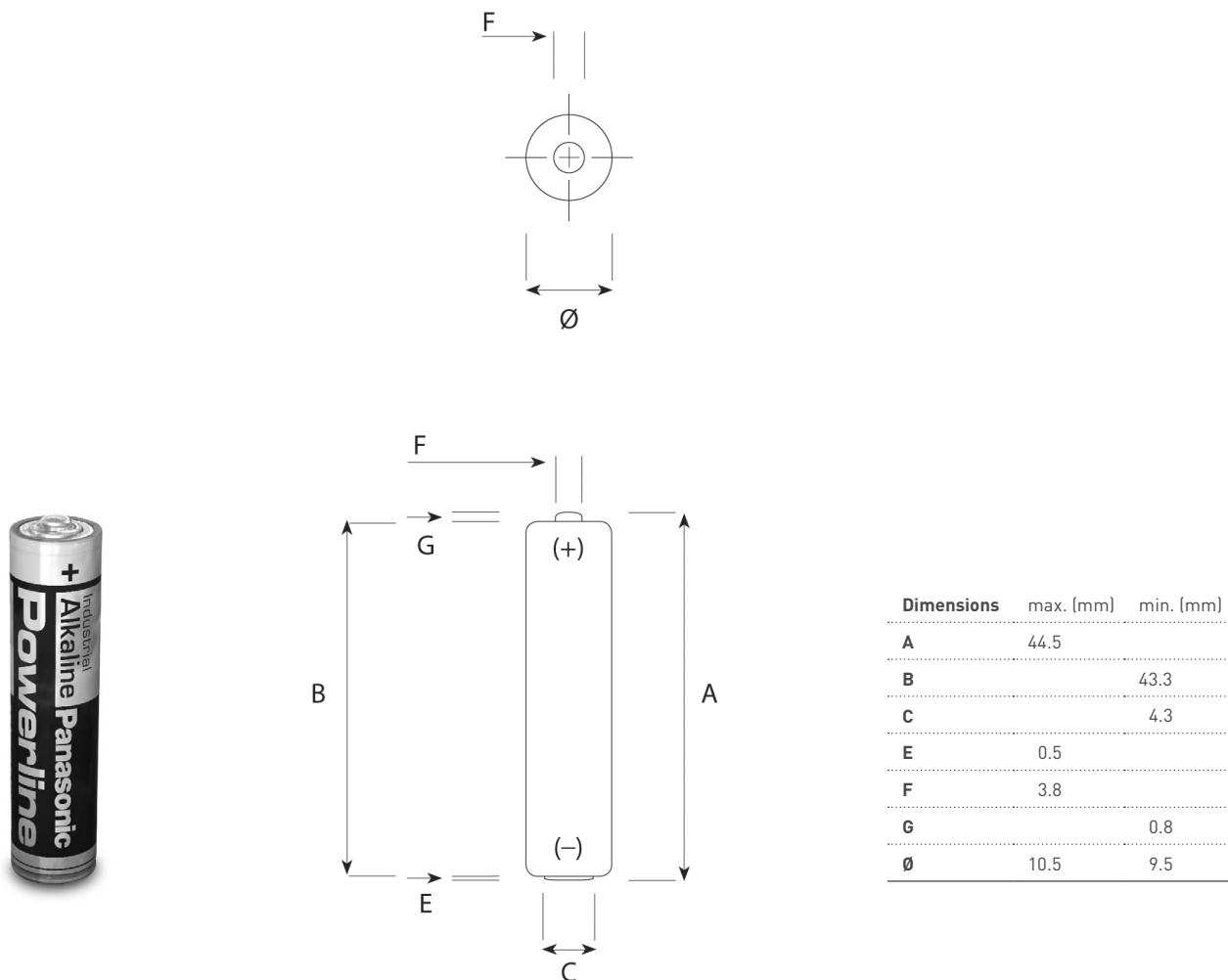


## LR03AD POWERLINE

IEC DIMENSIONS (MM)

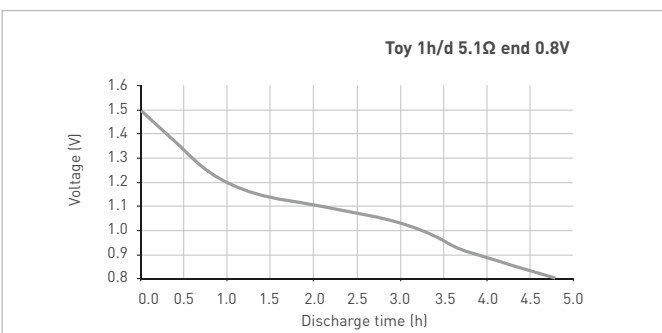
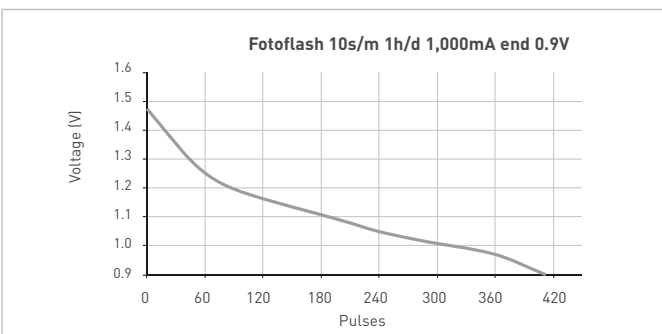
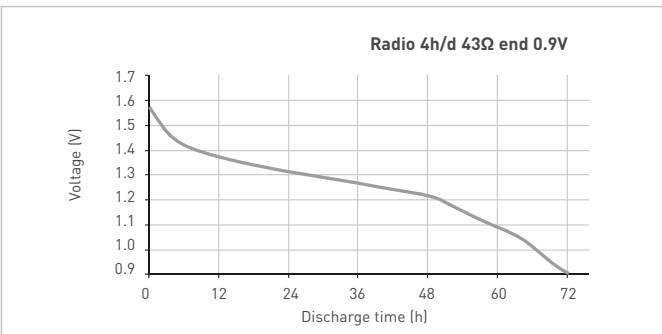
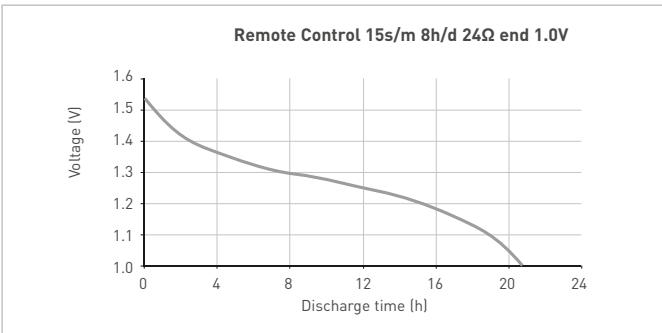
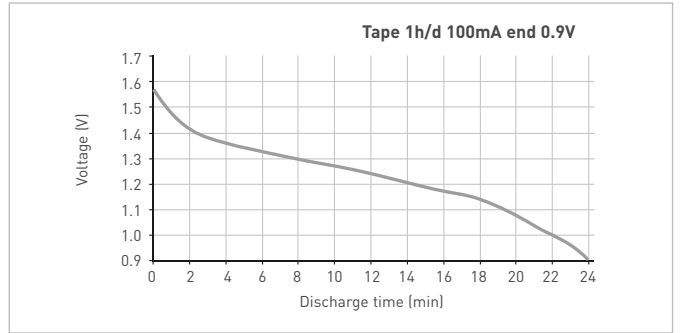
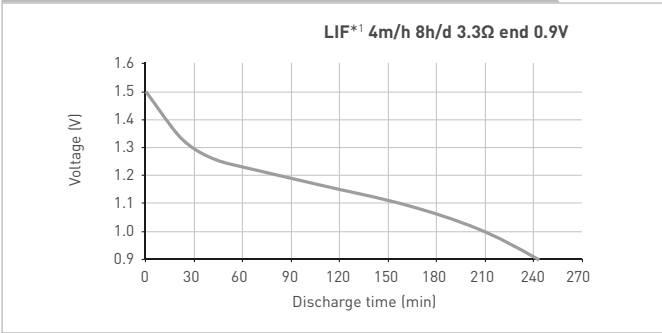


### SPECIFICATIONS

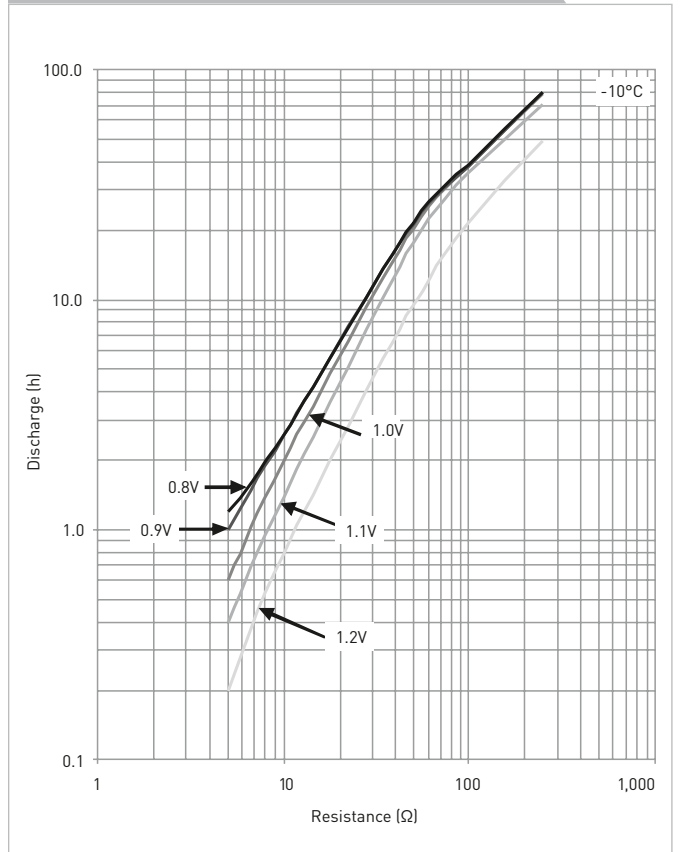
<b>Name</b>	LR03 / S / AAA / AM4 / MICRO / MN2400 / 24A / 24AC
<b>Made in</b>	Belgium
<b>Type</b>	Alkaline foil
<b>Nominal voltage</b>	1.5V
<b>Electrolyte</b>	Potassium Hydroxide
<b>Average weight</b>	11.2g
<b>Storage temperature range</b>	+10°C ~ +25°C
<b>Operating temperature range</b>	-20°C ~ +45°C
<b>Average impedance</b>	approx. 135mΩ @ 1kHz AC
<b>Heavy metals</b>	No added mercury (Hg), Cadmium (Cd) or Lead (Pb)
<b>Compliant with</b>	IEC 60086 Non-dangerous goods regulation Nordic Ecolabel (White Swan) version 3.7 EC directive 91/157EC, 98/101EC, 2006/66/EC
<b>Recommended cut-off voltage</b>	0.8V per cell

LR03AD POWERLINE

TYPICAL DISCHARGE VALUES



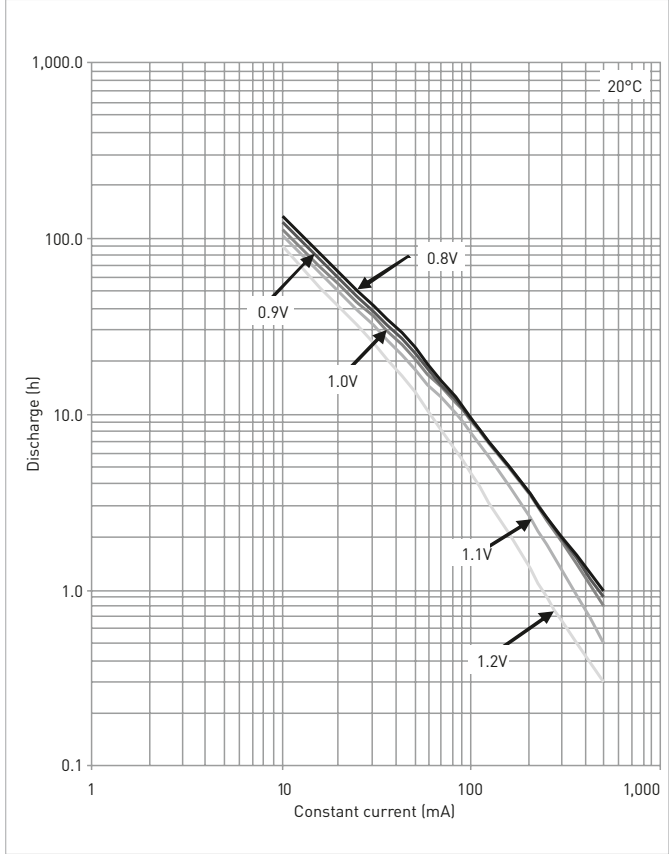
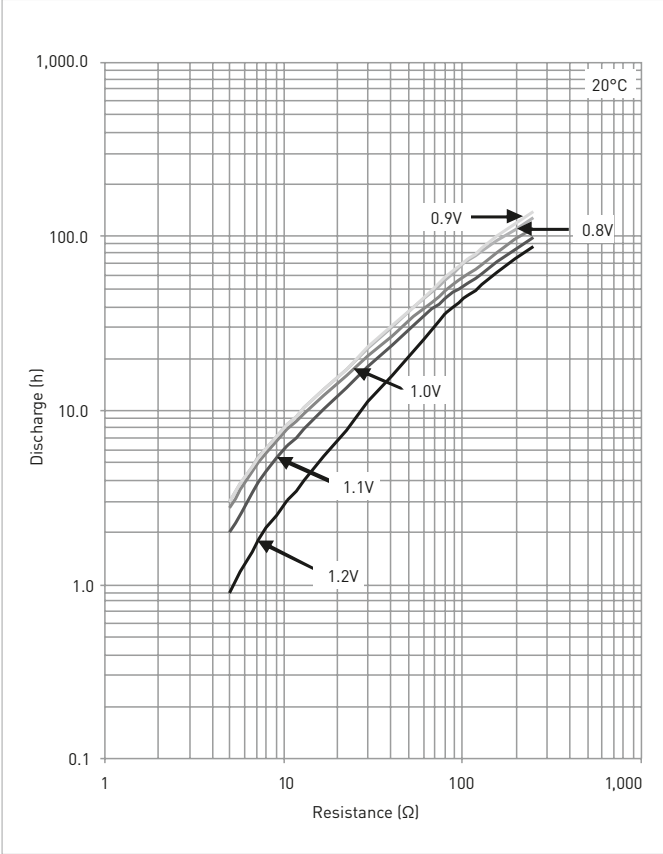
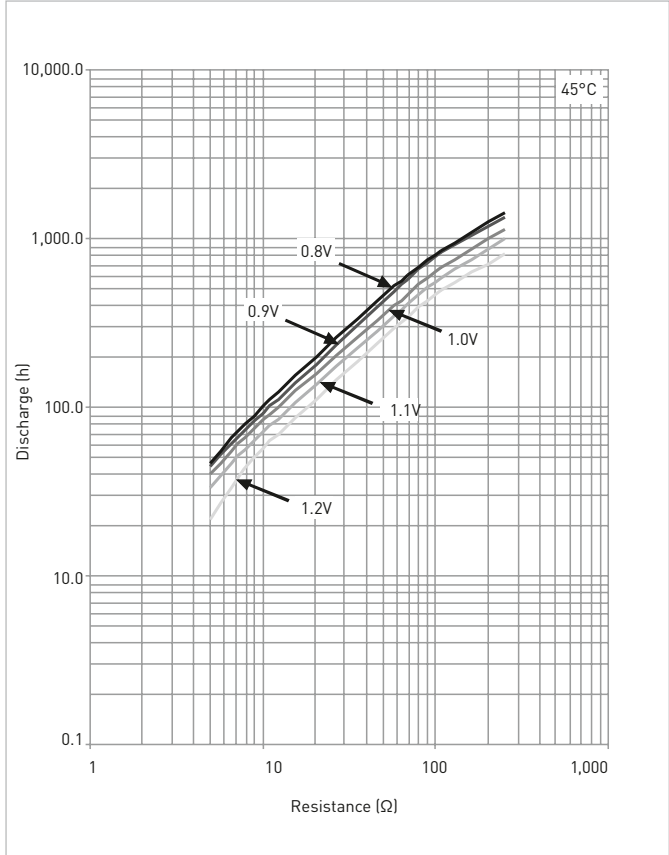
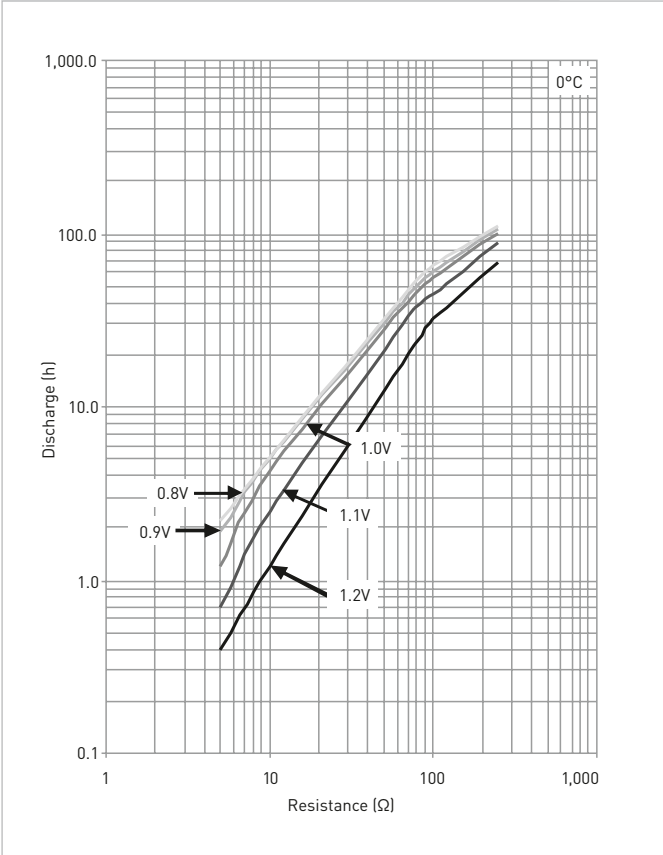
DISCHARGE TEMPERATURE CHARACTERISTICS



\*1 Light intention flashlight

LR03AD POWERLINE

DISCHARGE TEMPERATURE CHARACTERISTICS



The information herein is believed to be correct. However no warranty is made, either expressed or implied, regarding the accuracy of the results to be obtained from the use of such information. Test results are strictly according to IEC conditions. Capacities of batteries depend on drain, temperature and cut-off voltage. Data are subject to change.