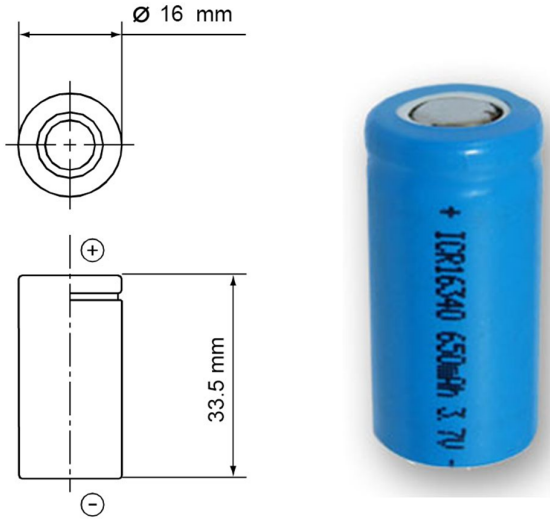


Rechargeable li-ion battery ICR16340 650mah with CE ROHS UL approved



Model	ICR16340	
Rated Capacity	650mAh	
Min.Capacity	600mAh	
Max Charge Voltage	4.2V	
Standard Discharge @35°C	Discharge cut-off voltage	2.8V
	Max Charge Current	0.2C charge current
Standard Charge (CC/CV)	Max.Charge Voltage	3.65V
	Max.Charge Current	0.2C charge current
	Charge Time	2.5hrs(1 C5A)
Max .Diameter	16.9±0.1mm	
Max.Height	34±0.3mm	
Weight	18.5g	
Impedance	150mΩ	