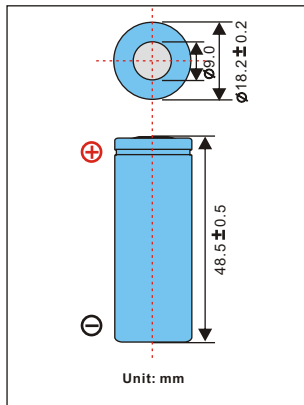


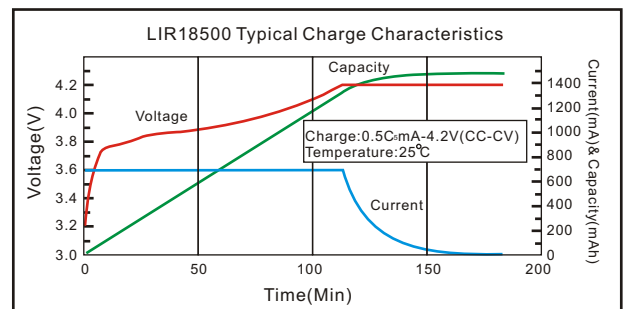
# LIR18500 Lithium Ion Battery

## Brief Datasheet

### 1 Dimension

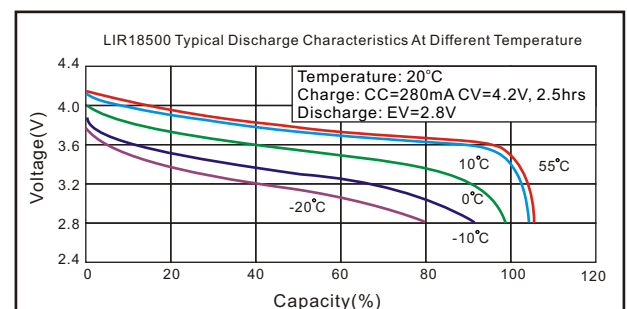
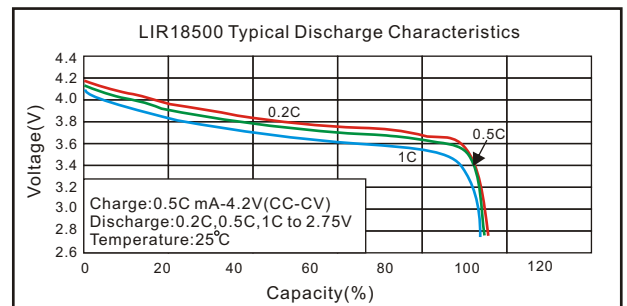


### 3 Electrical Characteristics



### 2 Basic Specification

Nominal Voltage		3.7V
Nominal Capacity	Typical	1500mAh (0.2C discharge)
	Minimum	1350mAh (0.2C discharge)
Charge method		CC/CV (Constant Current-Constant Voltage) current:0.5C Voltage:4.2V End current: 20mA
Charging Voltage		4.20V±0.05V
Charging Std. Current		700mA
Max Current	Charge	1500mA
	Discharge	2800mA
Ambient Temperature	Std. Charge	0 °C to 45 °C
	Discharge	-20 °C to 60 °C
	Storage	-5 °C to 35 °C
Discharge cut-off voltage		2.75V
Internal Impedance		<80mΩ
Cycle life		>300cycles(≥80% capacity)
Nominal Weight		Approx.33g



Note:\*1C = 1 Capacity

Note: Any representations in this brochure concerning performance, are for informational purposes only and are not construed as warranties either expressed or implied, of future performance.

# Li-ion