

WP12-12A 12Volt 12Ah

Specifications

Nominal Voltage(V) **12V**

Nominal Capacity

20 hour rate	(0.6A to 10.50V)	12Ah
10 hour rate	(1.14A to 10.50V)	11.4Ah
5 hour rate	(2.04A to 10.20V)	10.2Ah
1 C	(12A to 9.60V)	6.4Ah
3 C	(36A to 9.60V)	4.2Ah

Weight **Approx. 3.75kg(8.25Lbs.)**

Internal Resistance (at 1KHz) **Approx. 13 mΩ**

Maximum Discharge Current for

5 seconds: **180A**

Charging Methods at 25°C (77°F)

Cycle use:

Charging Voltage **14.4 to 15.0V**

Coefficient **-5.0mV/°C/cell**

Maximum Charging Current : **3.6A**

Standby use:

Float Charging Voltage **13.5 to 13.8V**

Coefficient **-3.0mV/°C/cell**

Operating Temperature Range

Charge **-15°C (5°F) to 40°C (104°F)**

Discharge **-15°C (5°F) to 50°C (122°F)**

Storage **-15°C (5°F) to 40°C (104°F)**

Charge Retention (shelf life) at 20°C (68°F)

1 month **92%**

3 month **90%**

6 month **80%**

Case Material **ABS**

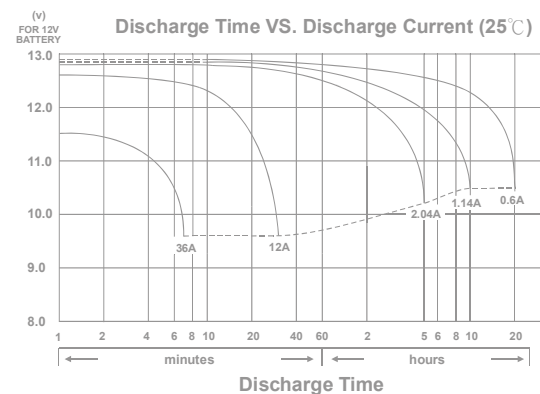
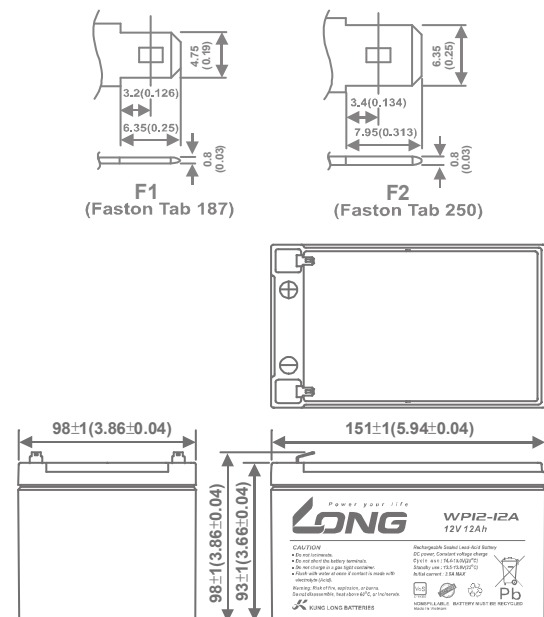
(Option: UL94 HB & UL94 V-0 flame retardant)

Terminal **F1 or F2 (Faston Tab 187 or 250)**

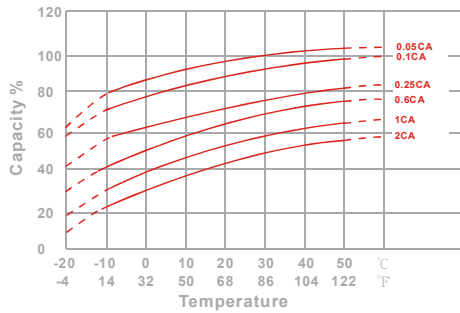


Dimensions

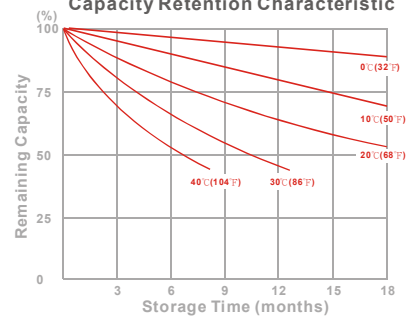
mm(inch)



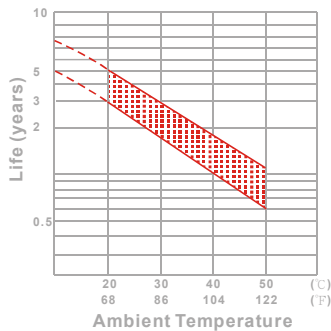
Effect of Temperature on Capacity 25°C(77°F)



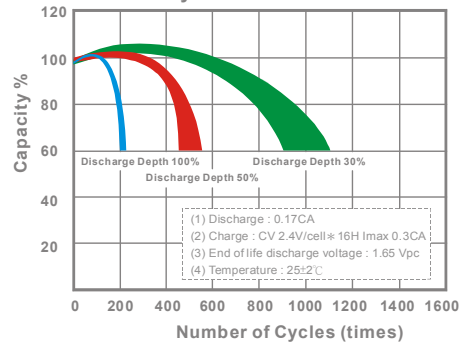
Capacity Retention Characteristic



Trickle (or float) Service Life



Cycle Service Life



- PERFORMANCE DATA

Discharge Rates in Watts to Various End Voltages at 25°C(77°F)

End Voltage		1.85V	1.80V	1.75V	1.70V	1.67V	1.65V	1.60V
Time								
5	min	405	451	485	520	536	552	582
10	min	288	315	329	344	349	357	366
15	min	232	246	255	264	267	272	279
30	min	133	142	148	152	154	156	158
60	min	94.7	98	100	102	103	104	105
120	min	51.8	53.5	54.3	54.9	55.1	55.4	55.9
180	min	33.9	35.2	36.3	37.2	37.6	38.1	38.5
240	min	28.7	29.3	29.8	30.4	30.7	31.2	31.6
300	min	23.7	24.5	25.1	25.8	26	26.3	26.9
600	min	14.0	14.4	14.6	14.8	14.9	15.0	15.1
1200	min	7.16	7.25	7.48	7.59	7.68	7.77	7.94

- Discharge Rates in Amperes to Various End Voltages at 25°C(77°F)

End Voltage		1.85V	1.80V	1.75V	1.70V	1.67V	1.65V	1.60V
Time								
5	min	37.2	41.4	44.5	47.7	49.1	50.6	53.4
10	min	25.7	28.1	29.4	30.7	31.2	31.9	32.7
15	min	19.8	21.3	22.1	22.9	23.2	23.5	24.2
30	min	11.4	12.1	12.6	13.0	13.1	13.3	13.5
60	min	8.21	8.40	8.52	8.63	8.68	8.74	8.82
120	min	4.21	4.36	4.47	4.56	4.59	4.63	4.68
180	min	2.87	3.06	3.13	3.19	3.22	3.25	3.29
240	min	2.38	2.43	2.47	2.52	2.55	2.58	2.62
300	min	1.97	2.03	2.08	2.14	2.16	2.19	2.23
600	min	1.16	1.18	1.20	1.22	1.23	1.24	1.25
1200	min	0.592	0.599	0.618	0.627	0.634	0.642	0.656

All data on the spec. sheet is an average value:

The tolerance range : $X < 6\text{min}$ (+15%~-15%), $6\text{min} \leq X < 10\text{min}$ (+12%~-12%), $10\text{min} \leq X < 60\text{min}$ (+8%~-8%), $X \geq 60\text{min}$ (+5%~-5%)

040814-1G